

TSTLP[®] SMT-ESE60

EARLY STREAMER EMISSION AIR TERMINAL (ESE)

Characteristics(Delta T)

Efficiency	ΔT	60μs
Standard deviation ESE / Single Rod	σ	$\sigma_{ESE} < 0.4 \sigma_{PTS}$
Lightning current withstanding test	I_{imp}	100kA (normative test)
Max. current withstanding (10/350 μ s)	I_{max}	$\geq 200kA$
Approx Net Weight	P	4.0 kg

Start Future From Safety

Operating principles

Detection of download leader	Continuous measuring of electric field gradient ($\Delta E/\Delta t$)
Upward streamer development conditions	TSTLP [®] -Smart Technology optimizing the streamer development conditions
Upward streamer emission	Sparking by High Voltage Impulses
Internal circuits	6 Independent working unit
Central rod	Full electrical continuity
Metal housing	Superior Stainless Steel
On-site testing capabilities	Proprietary TSTLP [®] E.S.E. tester
Maintenance	Free (thanks to TSTLP advanced technology & superior material)
Warranty	6 ⁺ YEARS

SMT-ESE60



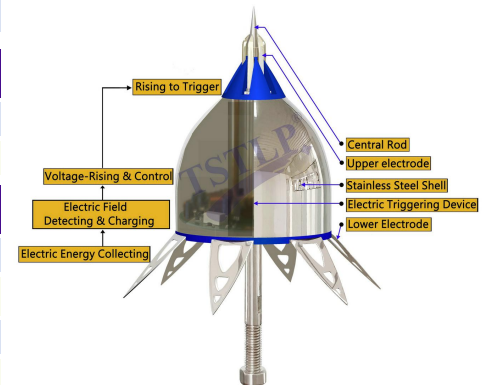
Mechanical Specification

Fixing on pole	M20 Thread
Down conductor connection	Specific clamp (Included)

Packing

Dimensions	230*230*450 mm box/pc, 4pc in 480*500*500mm carton
Contents	TSTLP [®] E.S.E. Head, Nut, Hex key, ESE-Pole Clamp
Approx GrossWeight	5.6 kg
Environmental sustainability	100% recyclable

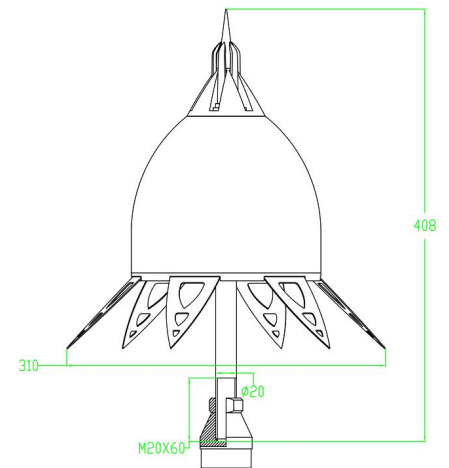
Operating principles



Certifications

Patent Right	Certificate Nr 2013300191382
NF C 17-102:2011 Annexe C	Certificate Nr 2017013F0063 (test at High-Voltage laboratory in Spain accredited by ENAC & ILAC)
UNE 21.186:2011 Paragraph C	Certificate Nr 45800 (test at High-Voltage laboratory in Romania accredited by Romania-RENAR & ILAC)
IEC 60060-1:2010 Part 1	Certificate Nr W13028 (test at High-Voltage laboratory in Shanghai accredited by CAL & CMA)
GB/T T16927.1-2011 Part 1	Certificate Nr W13028 (test at High-Voltage laboratory in Shanghai accredited by CAL & CMA)
CE Marking	Certificate Nr WTS16030019S (Ref Standard EN 60060-1:2010)

Dimensions(mm)



Download Professional Detailed Catalog @

<https://drive.google.com/file/d/1sHzPnbVjZLkIAeXGNRp4bKSoYsNoqf1C/view?usp=sharing>



TS Lightning Protection Co.,Ltd

www.tspro.com & www.es-lightningrod.com

Non-contractual document, TSTLP[®] reserves all rights to make changes in technical data, configuration, dimensions, weights & materials.