

# Technical data sheet

## VG housing with MCD 50-B/3+1

Item no. 5096875



Combination arrester, pre-installed in IP65 housing for use in TN-S and TT networks.

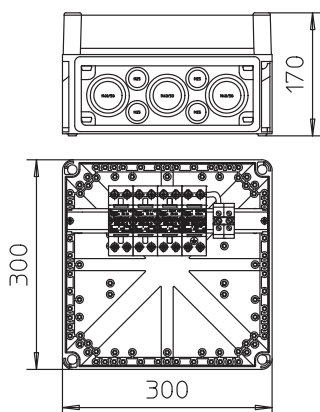
VG...: Lightning arrester system solution type 1+2 according to DIN EN 61643-11.

- LightningController MCD 50-B and MCD 125-B/NPE mounted in insulating housing IP65, sealable housing
- Pulse current 125 kA (10/350  $\mu$ s), BET-tested
- Conforms to requirements of VDE-AR-N 4100
- Protection level < 1.7 kV (L-N) and < 1.5 kV (N-PE)
- Encapsulated, non-extinguishing discharge gap
- Suitable for TN-S and TT network systems

Application example: The system solution is used in the pre-meter area according to VDE-AR-N 4100.



### Dimensions



### Master data

Item no.	5096875
Type	MCD 50-B 3+1-VG
Description 1	Coordinated Lightning Controller
Description 2	set type 1 arrester in housing
Dimension	255V
Smallest sales unit (VG)	1,00 Piece
Weight	290,00 kg/100 pc.

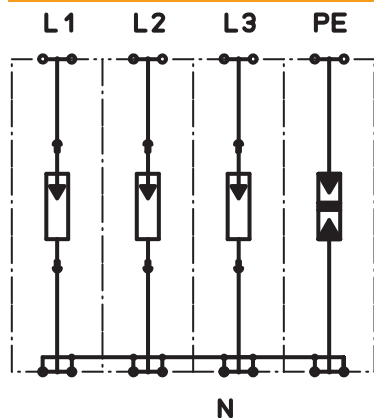
# Technical data sheet

## VG housing with MCD 50-B/3+1

Item no. 5096875



### Technical data



SPD to EN 61643-11	Type 1+2
SPD to IEC 61643-11	Class I+II
Test class, type 1	<input checked="" type="checkbox"/>
Nominal voltage	230,00 V
Maximum continuous voltage AC	255,00 V
Max. continuous operating voltage	255,00 V
Nominal discharge current (8/20)	50 kA
Impulse discharge current (10/350)	50,00 kA
Lightning surge current (10/350)	125,00 kA
Arrestor surge current (8/20) [total]	125,00 kA
Protection level	< 1,7 kV
Protection level (L-N)	< 1,7 kV
Protection level (N-PE)	< 1,5 kV
Follow current quenching capacity (eff) [N-PE]	25,00 kA
Follow current quenching capacity left	10,00 kA
Response time	<100 ns
Maximum back-up fuse	500,00 A
Temperature range	-40+85 °C
Pole version	3+N/PE
Version	3 + NPE
Mounting type	Pre-mounted in the housing
Installation type	Pre-mounted in the housing
Protection rating	IP54
Protection rating	IP 54
Blow-out	<input type="checkbox"/>
Division unit TE (17.5 mm)	8
Telecommunications contact	<input type="checkbox"/>
Connection cross-section, flexible	10,00 - 25,00 mm <sup>2</sup>
Connection cross-section, rigid	10,00 - 50,00 mm <sup>2</sup>
Connection cross-section, multi-wire	10,00 - 35,00 mm <sup>2</sup>
Signalling on device	None