

Technical data sheet

Combination arrester, 1-pole with function display

Item no. 5096852



Combination arrester, type 1+2, 1-pole, for use in TN and TT networks:

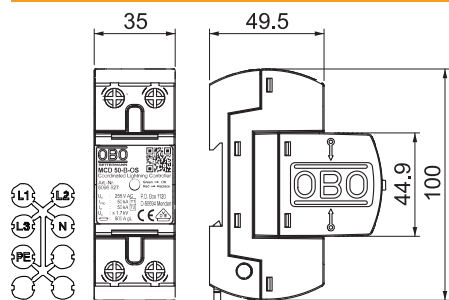
MCD 50-B-OS: Coordinated lightning current arrester, type 1+2 to EN 61643-11 with visual function display. For interface 0 to 2 (LPZ) in accordance with lightning protection zone concept to IEC 61312-1 and/or DIN VDE 0185-305.

- Arresting capacity 50 kA (10/350 μ s) per pole
- Power consumption < 26 mW/pole
- Protection level < 1.7 kV, allows device protection
- Line follow current quenching 25 kA I_{peak}
- Incl. plug caps for labelling the connections
- Encapsulated, non-extinguishing spark gap
- Can be used in standard distributor housings.

Application: Compact surge protection concepts and installations in a distributor.



Dimensions



Length	100,00 mm
Width	35,00 mm
Height	69,00 mm

Master data

Item no.	5096852
Type	MCD 50-B-OS
Description 1	Coordinated Lightning Controller
Description 2	with function display
Dimension	255V
Smallest sales unit (VG)	1,00 Piece
Weight	34,80 kg/100 pc.

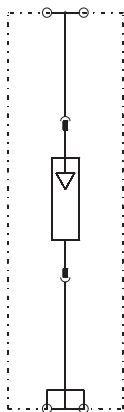
Technical data sheet

Combination arrester, 1-pole with function display

Item no. 5096852



Technical data



SPD to EN 61643-11	Type 1+2
SPD to IEC 61643-11	Class I+II
Test class, type 1	<input checked="" type="checkbox"/>
Test class, type 2	<input checked="" type="checkbox"/>
Nominal voltage	230,00 V
Maximum continuous voltage AC	255,00 V
Max. continuous operating voltage	255,00 V
Maximum continuous voltage (L-N)	255,00 V
Nominal discharge current (8/20)	50 kA
Nominal discharge current (8/20 µs) [L-N]	50,00 kA
Rated current	125,00 A
Impulse discharge current (10/350)	50,00 kA
Lightning impulse current (10/350) (L-N)	50,00 kA
Lightning surge current (10/350)	50,00 kA
Arrester surge current (8/20) [total]	50,00 kA
Protection level	< 1,7 kV
Protection level [L-N]	1,70 kV
Protection level (L-N)	< 1,7 kV
Follow current quenching capacity left	10,00 kA
Response time	<100 ns
Maximum back-up fuse	500,00 A
Temperature range	-40+85 °C
Pole version	1
Pole number	1,00
Version	1-pole
Version	1-pole
Mounting type	Hat rail 35 mm
Installation type	DIN rail 35 mm
Protection rating	IP20
Protection rating	IP 20
Approvals	VDE
Blow-out	<input type="checkbox"/>
Size	2 part units
Division unit TE (17.5 mm)	2
Remote signalling	<input type="checkbox"/>
Telecommunications contact	<input type="checkbox"/>
Connection cross-section, flexible	10,00 - 25,00 mm ²
Connection cross-section, rigid	10,00 - 50,00 mm ²
Connection cross-section, multi-wire	10,00 - 35,00 mm ²
Signalling on device	Visual